



GENERAL OFFICE

Address 8 New Hook Rd, Bayonne, NJ 07002
Phone +1(332)777-7005

E-mail sales@unitedporte.us



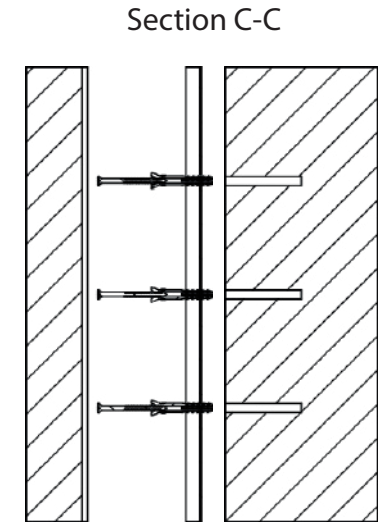
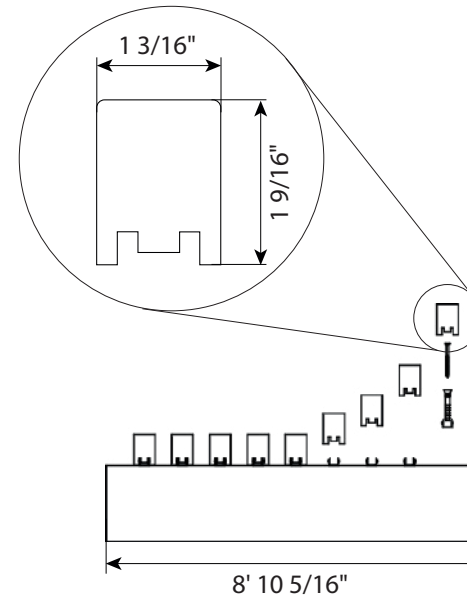
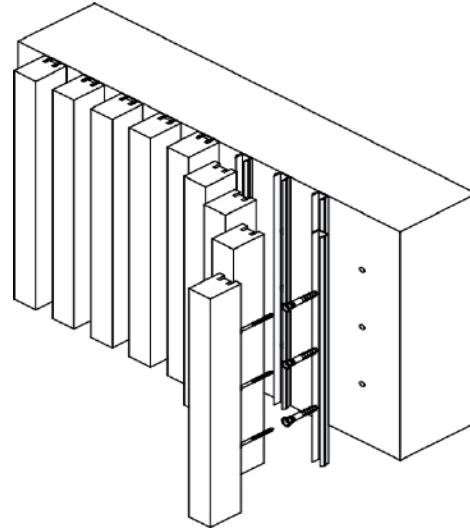
DECORATIVE WOOD SLAT

installation guide



To install the decorative wood slat you need:

- a decorative wood slat
- mounting plate
- tape measure
- level
- a tool for cutting the slat and mounting plate
- screwdriver or punch (depending on the surface)
- wood screws $1/8" \times 1"$ or dowel nail $1/4" \times 1 9/16"$ (depending on the surface)



MOUNTING ON A FLAT SURFACE:

1. Define the area for decorating. Specify the height of the rail. Cut the mounting plate and MDF rails to length as required.

2. Determine the distance between the rails (by standard, the distance between the rails is equal to the width of the selected rail model).

3. Fix the mounting plate measuring with a level.

4. Attach the rails to the mounting plate (slightly palm striking the slat from the bottom to the top).

